

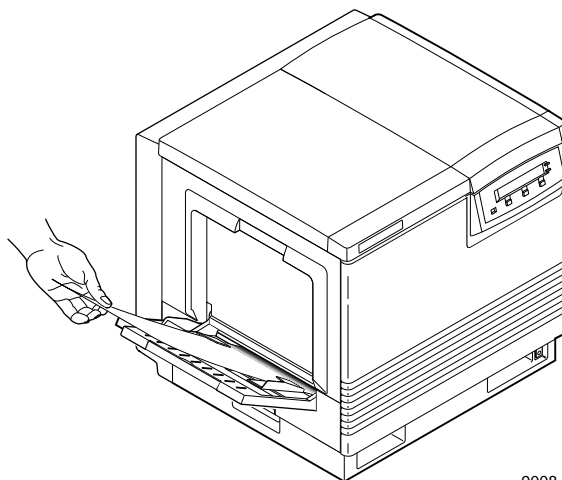
Using manual feed

Use manual feed for printing on a media other than what is installed in the media tray. When the printer senses media in the manual feed tray, it picks that media. You can also select manual feed in the front panel; when you do, the front panel reads Manual Feed: Paper or Manual Feed: Transparency. The message remains in the front panel until you feed media at the manual feed slot or make another selection. (This front panel setting is overridden by a driver selection.) If no media is loaded in the manual feed tray when manual feed is selected, the printer waits 60 seconds before it cancels the job (the default timeout is 60 seconds).

Caution *Re-using media that has been fed through the printer once, for example, after jams or if the media is ejected without being printed, can reduce the life of the consumables and paper path components.*

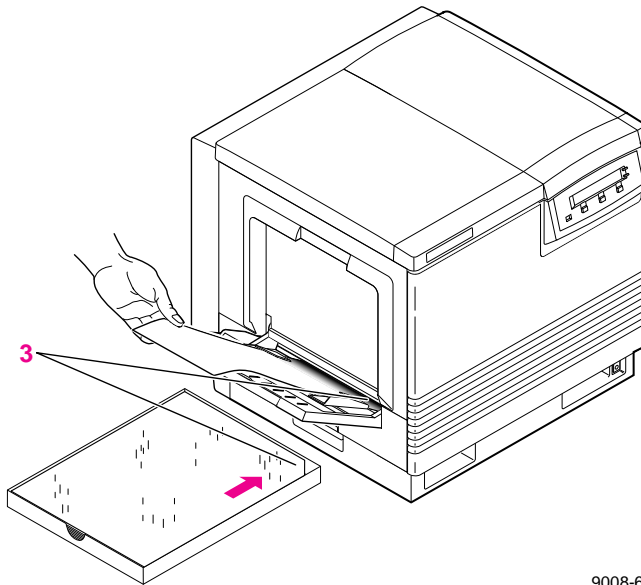
Insert the paper

1. Adjust the guides to the width of the paper.
2. Insert a piece of paper until it stops.
3. Wait 5 seconds after the first sheet enters the printer before inserting a second sheet.



Insert the transparency

1. Adjust the guides to the width of a transparency.
2. Tektronix transparency film is stored in its box with the printable side facing *up* and the notched end at the upper right side of the box.
3. Place the transparency in the manual feed tray with the printable side *up*: the end that is notched enters the printer first with the notched corner closest to the *front* of the printer. Insert the transparency until it stops.
4. Wait 5 seconds after the first sheet enters the printer before inserting a second sheet.



9008-69